

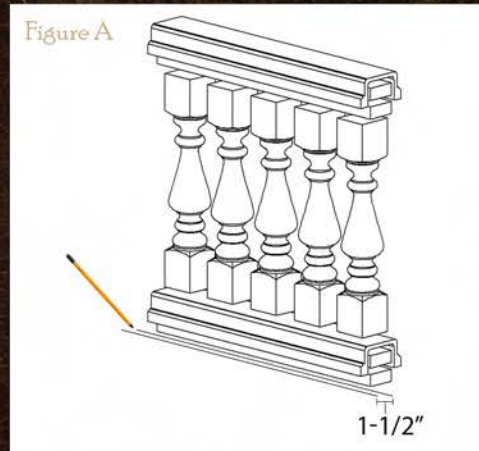
PREP

GETTING STARTED

Get started by laying out all the pieces of your balustrade system and marking layout lines on the floor surface (Figure A). This process is used to familiarize yourself with the balustrade system and to see the necessary adjustments that need to be made for installation. Measure 1-1/2" in towards the center of the already marked layout lines. These lines are a guide for the 2x6's that will be attached to the floor surface.

CUTTING AND MILLING

Any adjustments can be made using an abrasive saw or fine-toothed handsaw. Be sure to always wear the necessary safety gear such as safety glasses and dust masks while cutting or trimming our Euro-Lite products. You can also visit www.realmofdesign.com for the Material Safety Data Sheet (MSDS) and for any other question you may have on this type of product.



INSTALLATION

MATERIALS

You will need 2x6's, 3/8" all-thread's, nuts and washers, an adhesive (PL Premium), and screws.

BOTTOM RAIL

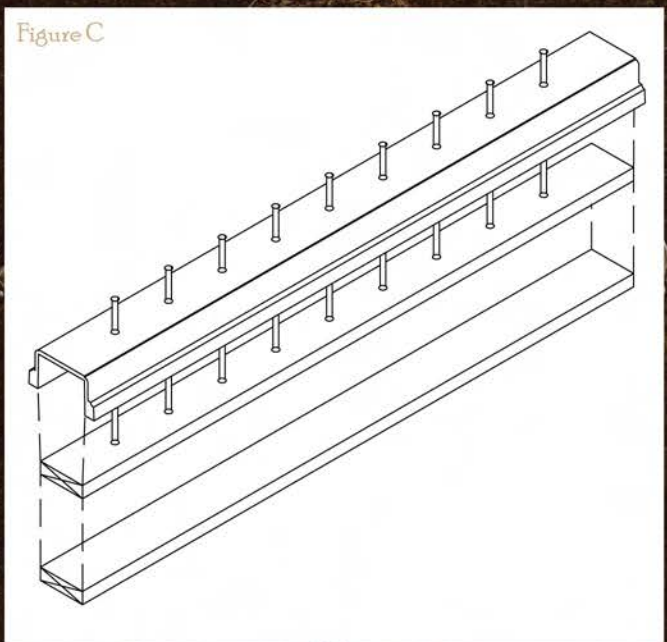
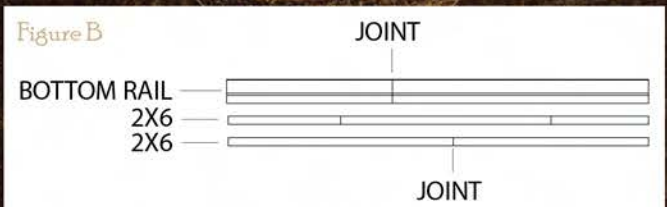
Begin by applying an adhesive to the bottom of a 2x6 and adhere to floor surface aligning the edge to the mark made earlier and fasten to floor surface with the appropriate screws. Repeat for any additional 2x6's needed to fill length of the balustrade system.

Now align a 2x6 and the bottom rail on top of the previously installed 2x6 making sure to stagger the seams of the wood (Figure B). Clamp the bottom rail to the top 2x6. Remove bottom rail and 2x6 and turn over. The 2x6 should now be face up and can be marked with the baluster centers. Drill the marks with a 3/8" drill bit, drilling through the 2x6 and bottom rail (Figure C). If several pieces are being used, be sure to mark the 2x6 and corresponding bottom rail to avoid confusion. Continue by counter sinking the pre-drilled 2x6 ensuring that it can house the nut and washer being attached to the 3/8" all-thread.

Cut the 3/8" all-thread to the height of the baluster plus 3-3/4" to ensure that it will go through the bottom rail to the top rail. Thread the nut and washer on the 3/8" all-thread and slide through the bottom of the pre-drilled 2x6. Apply an adhesive to the top of the 2x6 attached to the floor and adhere the pre-drilled 2x6 making sure to align the edges and fasten with the appropriate screws. Apply an adhesive to the bottom rail and adhere to the pre-drilled 2x6.

BALUSTER

Apply an adhesive to the bottom of the baluster. Slide the baluster over the all-thread and adhere to the top of the bottom rail making sure to keep the baluster square (Figure D). Repeat till all balusters have been installed.



INSTALLATION CONT.

TOP RAIL

Mark a 2x6 with the baluster centers and drill with a 3/8" drill bit. Now countersink the 2x6 as mentioned in above bottom rail section. Apply an adhesive to the bottom of the 2x6 and adhere to the top of the baluster with the countersink facing up.

Apply an adhesive to a 2x6 and adhere to 2x6 on top of balusters making sure to align the edges. Apply adhesive to the bottom of the top rail and adhere to the 2x6 and fasten the top rail to the 2x6's with the appropriate screws. Make sure to countersink the screws.

FINISHING

Once all the pieces of your balustrade assembly have been installed fill all joints, seams, and holes with a filler. Your balustrade system can now be painted with a high quality interior or exterior paint depending on the area of installation.

REMINDER

All of our Aged Stone products are purely decorative and non-structural. Follow all manufactures directions of the products being used such as the suggested PL Premium adhesive, and follow all building codes. For any question you may have regarding these instructions, call 1.702.566.1188 or visit www.realmofdesign.com.

Figure D

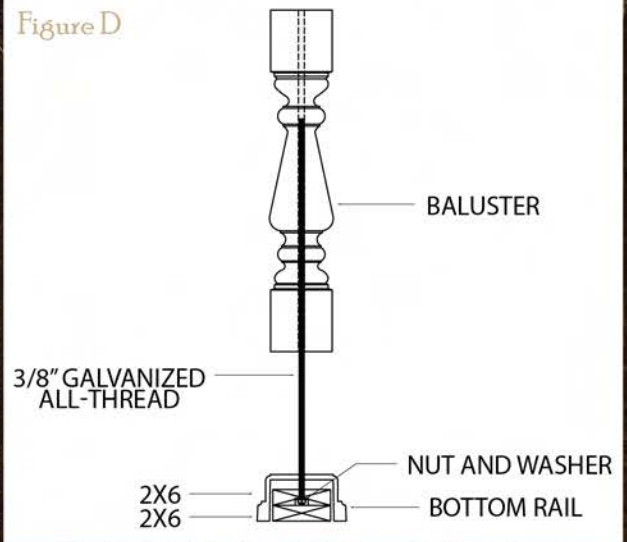


Figure E

